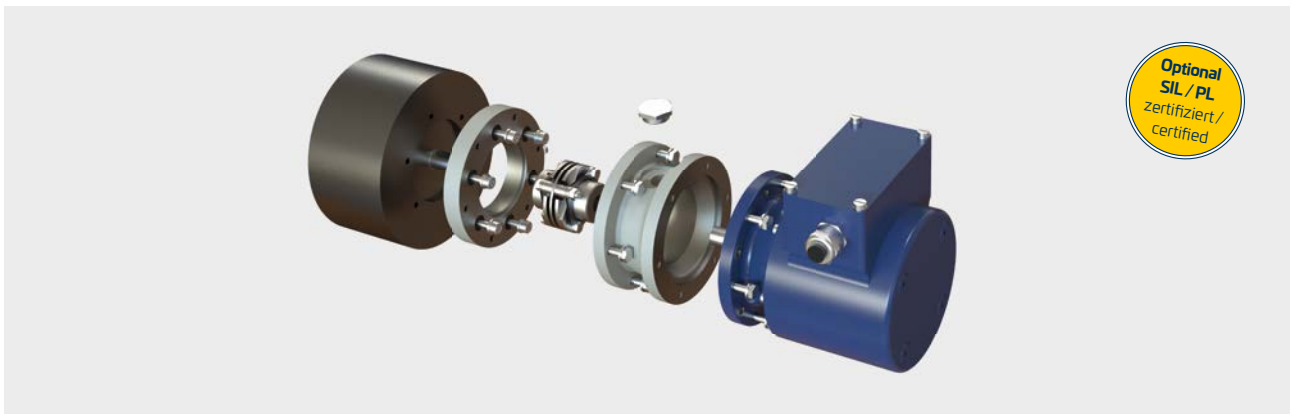


Inquiry form for couplings / Engineering support

If you wish to request a quote for spare parts, please only fill out the following two tables.

Sender			
Company:		Contact partner:	
		Phone:	
Address:		Fax:	
		E-mail:	

Spare parts			
Serial number:		Order number (optional):	
End customer / Country of end customer:			



Example

New device

1 Application:

- Modernization New system

Description of application:

2 Version:

- Standard Safety components Ex protection Other:

3 Number of items:

.....

4 Date when required / Delivery date:

.....

5 Speed (speed ranges / maximum speed):

.....

6 Isolation against current flow e.g. attachment to motor:

required not required

7 Mounting:

→ Please provide photos of construction site

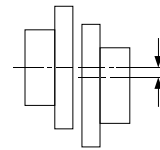
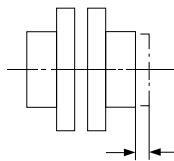
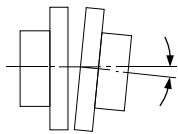
Encoder, flange Encoder, foot Tacho generator

8 Misalignment:

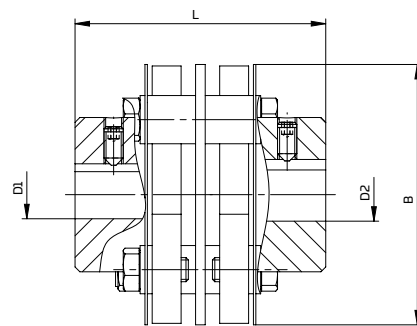
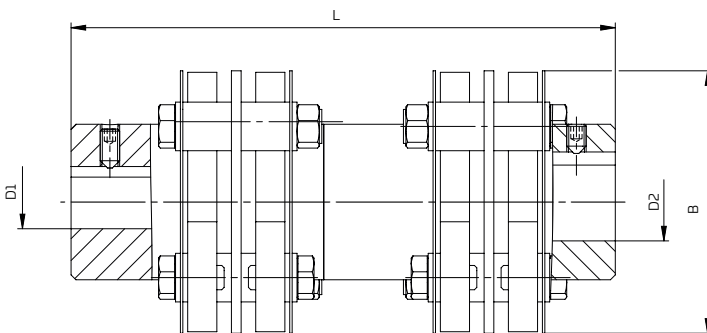
Angular misalignment in °:

Axial misalignment in °:

Radial misalignment in °:



9 Dimensions:



Maximal length L:

Maximal width B:

Bore diameter D1 (drive end):

Bore hole design D1 (tapered, cylindrical):

Mounting on drive side (feather key / clamping hub):

Bore diameter D2 (encoder):

Bore hole design D2 (tapered, cylindrical):

Mounting of encoder (feather key / clamping hub):

Accessibility of coupling and coupling screws:

- Given
- Restricted (description / drawing / photo)

.....

.....

.....

.....

Condition of the customer shaft:

- Damage-free, rust-free
- Signs of wear (description / photo)

.....

.....

.....

.....

10 External influences (ambient):

- Version in corrosion-resistant steel

Temperature range: -25°C to +85°C Other:

Other influences:

.....

11 Miscellaneous:

.....

.....

.....

.....

.....

.....

.....

.....

.....

.....

.....

.....

.....

.....

.....

.....

.....

.....

.....

.....

.....

.....

.....

.....

.....

.....

.....