

Inquiry form for magnetic encoder systems

Sender			
Company:		Contact partner:	
		Phone:	
Address:		Fax:	
		E-Mail:	

Spare parts			
<p>→ If you wish to request a quote for spare parts, please only fill out the section highlighted in gray. It is not possible to provide a quote without a serial number.</p>			
Serial number:		Order number (optional):	
End customer / Country of end customer:			

New device

1 Number of items:	2 Date when required / Delivery date:
.....

3 Field of application / Application:

.....

4 Output signal:

Incremental output signal

Pulse rate (depends on diameter of pulse wheel)

Ideal: pulses per rotation

If "ideal" cannot be realized: Between and pulses per rotation

Reference pulse signal (requires additional magnetic track)

No reference pulse signal 1 x per rotation x per rotation

Signal transmission

Electric (copper cable):

Signal amplitude: HTL TTL

Fixed cable, cable length: m

12-pole round connector Burndy (types with reference pulse signal)

12-pole round connector M23 (types with reference pulse signal)

8-pole round connector M12 (types without reference pulse signal)

Terminal strip in a terminal box

Degree of protection

IP68

IP67

IP67

IP67

IP66

Optic (FOC cable + separate decoder type LWLS-D ...):

FOC connector in a terminal box (50/125 µm, ST®-compatible)

IP66

FOC connector in a terminal box (62.5/125 µm, ST®-compatible)

IP66

Absolute output signal

Resolution singleturn (multiturn not possible)

12 bit 13 bit 14 bit 15 bit 16 bit

Electric (copper cable):

SSI

Degree of protection

Fixed cable, cable length: m

IP67

12-pole round connector M23

IP67

12-pole round connector Burndy

IP67

Terminal strip in a terminal box

IP66

EtherCAT, 3 x M12 plug-in connector (interface specific)

IP67

Switching output overspeed (option S)

Number of switching outputs

Required switching speed

1 piece 2 pieces

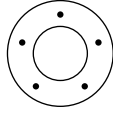
Switching speed:

5 Shaft diameter:

.....

7 Pulse wheel version:

one-piece (standard)



8 Installation situation:

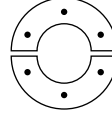
Drawing of place of installation included

→ Please ensure you include supplementary photos.

6 Maximum speed:

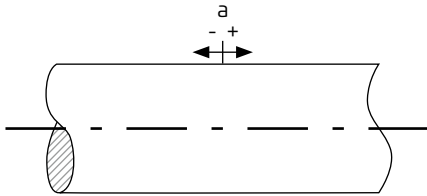
.....

split



Drawing of place of installation not available
(Please complete annex "MAC installation situation")

9 Axial shaft play:



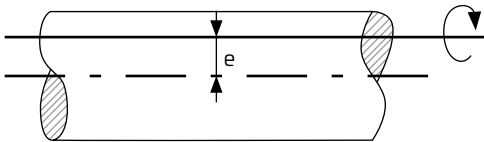
a = max. ± 1 mm

a = max. ± 3 mm

a = max. ± 8 mm

Miscellaneous:

10 Eccentricity:



e = max.: mm

11 Temperature range:

-25 °C up to +85 °C

-40 °C up to +85 °C

Miscellaneous:

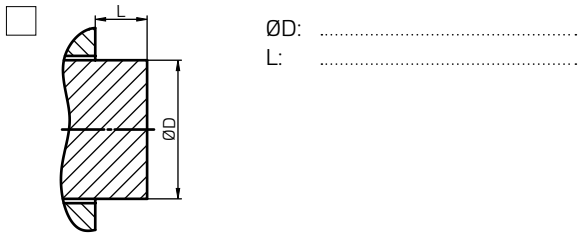
12 Miscellaneous:

.....
.....
.....
.....
.....

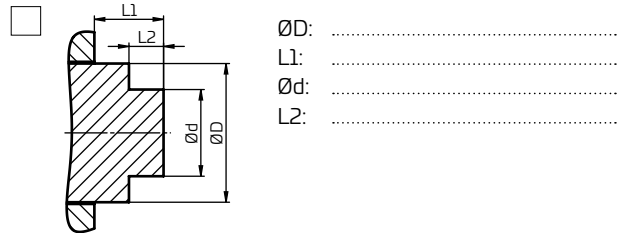
Annex
 for magnetic encoder systems

Installation situation with free shaft end

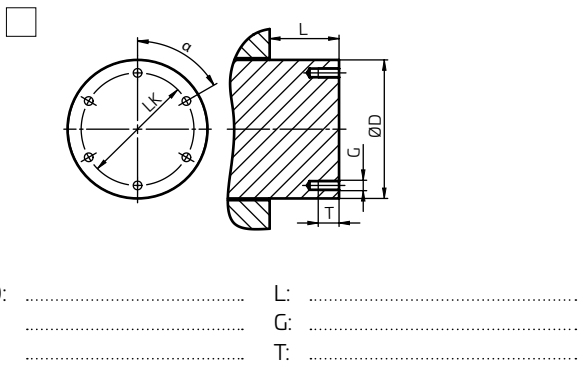
1. Shaft end with external centering without bolt circle



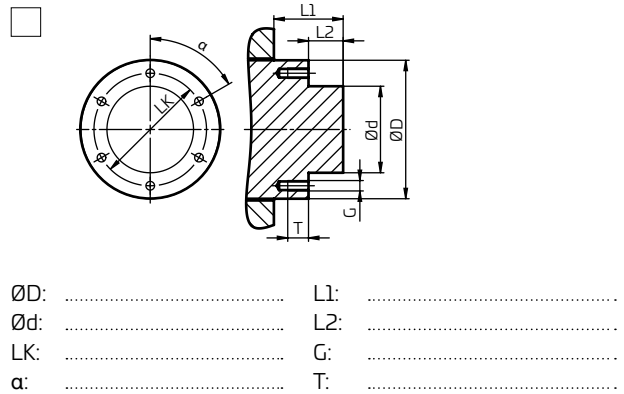
2. Shaft shoulder with external centering without bolt circle



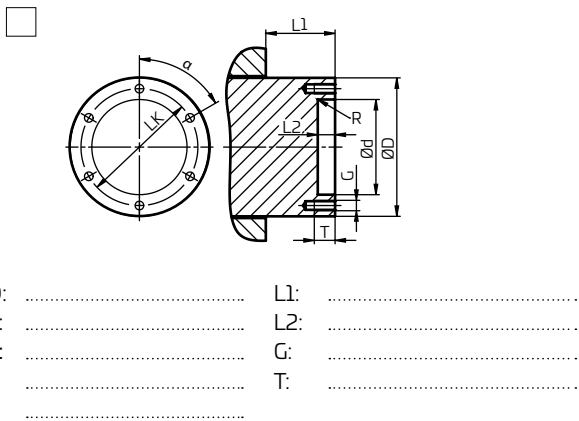
3. Shaft end with external centering and bolt circle



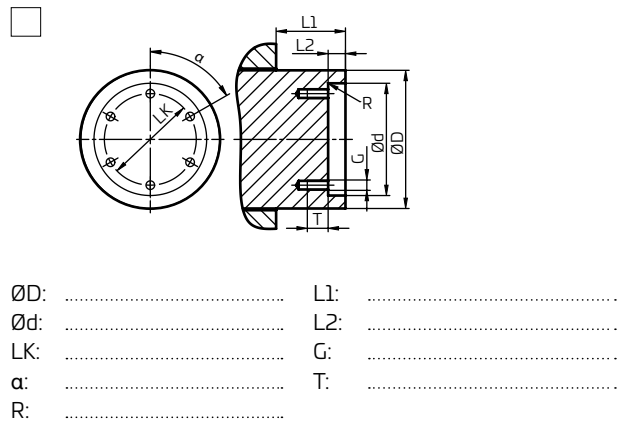
4. Shaft shoulder with external centering and bolt circle



5. Shaft end with internal centering and outer bolt circle

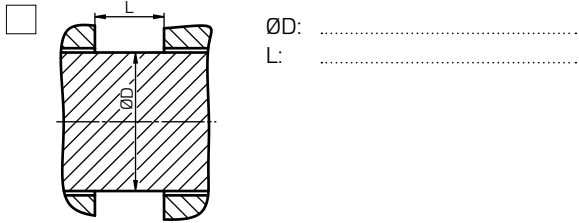


6. Shaft shoulder with internal centering and inner bolt circle

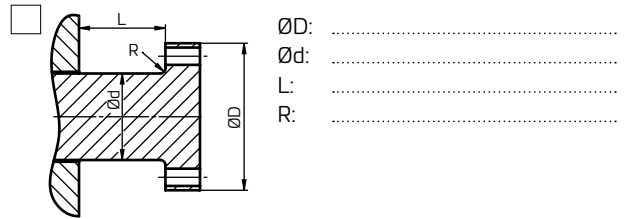


Installation situation without free shaft end

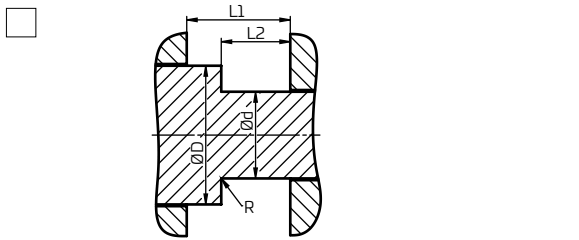
7. No free shaft end



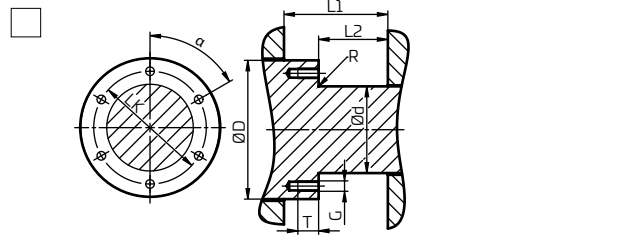
8. Shaft end with flange



9. Shaft shoulder without bolt circle



10. Shaft shoulder with bolt circle



Own sketch

.....